

J-SZ(ZYT)-PX系列微型直流减速电动机

J-SZ(ZYT)-PX PM DC Gearmotor

概述 Summary

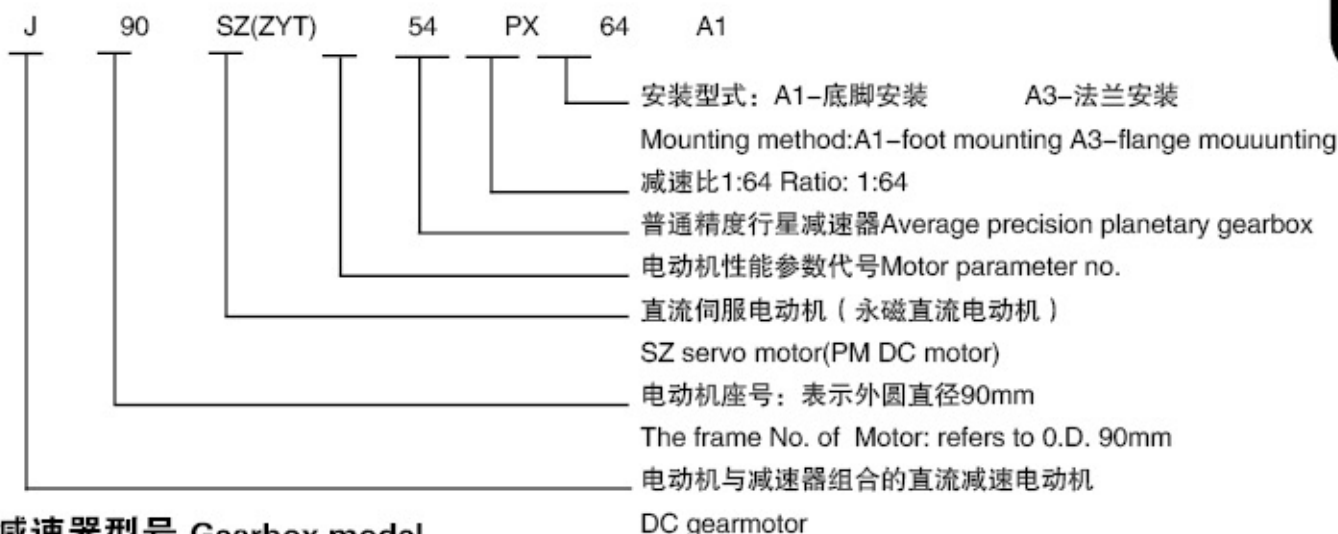


J-SZ(ZYT)-Px系列微型直流减速电动机, 分别由SZ(ZYT)系列直流电动机与PX型普通精度行星减速器构成, 且配带电源, 可实现无级调速。调整范围宽、体积小、重量轻、效率高、结构紧凑、输出转矩大, 广泛使用于引进设备及国产机械。如: 四色印刷机、塑料平封机、食品及工业包装机械、输油管道保暖检测装置、焊接设备以及其它需要低速高转矩、无级调速的驱动装置, 所配电源采用脉宽调制技术, 具有先进的短路保护功能(其功能详见电源使用说明书), 输出0~220V连续可调的直流稳压电源, 使电动机转速实现无级变速等优点。

Series J-SZ(ZYT)-PX DC Gearmotor consists of DC motor and PX planetary reducer together with power supply to realize the stepless speed-regulating, with the advantages such as wide speed regulating range, small in volume, light weight, high efficiency, tight structure, large output torque. It is widely used for importing equipment and machinery, eg. 4-color printer, sealing machine for plastic bottle, package machine, testing equipment for oil pipe, welding machine and other devices. The power supply fitted is used with variable duration impulse and short circuit protection(the detail see the power supply usage manual), output 0-220V DC power, and make motor speed stepless regulating.

减速机型号说明 Gearmotor model explanation

总型号 model



减速器型号 Gearbox model

